

The 2nd Plasma Materials Science Hall of Fame Prize

was awarded to

Prof. David B. Graves,

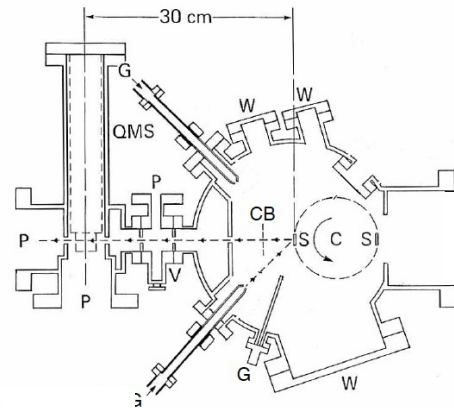
Princeton Plasma Physics Lab and Princeton University,

for the excellent achievements in comprehensive research on experiments and theories on the basics and applications of low-temperature plasma in many fields such as semiconductors, nanotechnology, and life sciences

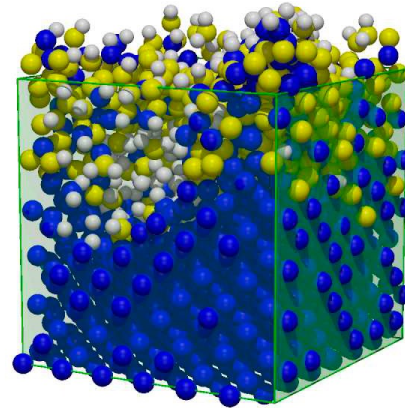


Prof. David B. Graves,
Princeton Plasma Physics
Lab
and Princeton University

**Vacuum beam
interactions
simulating plasma-
surface interactions**



**Fundamental
experimental and
computational
studies of low
temperature plasmas**



**Molecular dynamics simulations in
semiconductor processing**

**Atmospheric
plasma-nail
disinfection**

